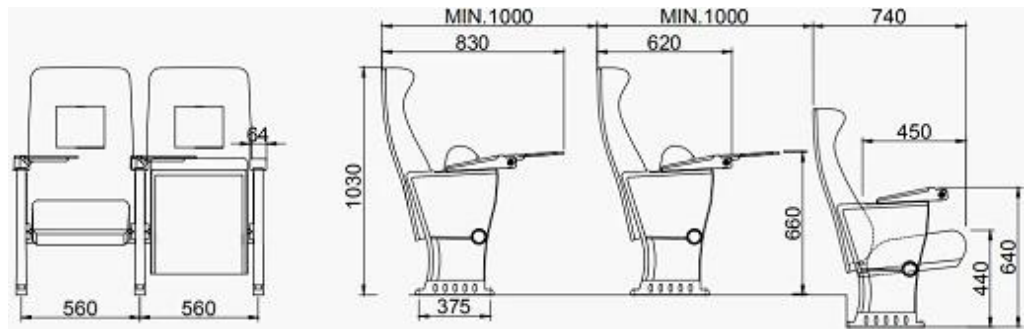


● PRODUCT INTRODUCTION ●

| ITEM | DESCRIPTION | |
|-------------------|---|------|
| Upholstery | 100% Acrylic ,100% Polyester and so on High quality fabric | |
| Plywood structure | 15mm plywood | |
| Foam | Molded foam.Density 55-60kgs/M ³ of seat,50-55kgs/M ³ of back | |
| Foot | Aluminium leg | |
| Armrest top | Imported timber externally applied with polyester coating | |
| Leg panel | MDF with fabric | |
| Writing table | Aluminium connector+Aluminium frame+PP | |
| CBM | 0.155/seat | |
| Loading Qty/Seat | 20GP | 40HQ |
| Package | 180 | 420 |
| | KD | |

Size/mm



Free Design



● PARTS REFERENCE ●



WORKSHOP



● ENGINEERING CASE ●



OUR SERVICE



CERTIFICATE



SHIPPING

- A. Depends on your qty and requirement of order ,
 15-25 work days for 1*40HQ container, 15-35 days for 2*40HQ and so on.....
- B. EX works, FOB shenzhen, CIF, C&F ,LC and so on,
 delivery terms discuss with salesman.

OUR SERVICE

- A. Own complete supply chain.
- B. 100% quality guaranteed.
- C. Reasonable price.
- D. Products are in various style.
- E. Good performance for delivery.
- F. Adequate inventory(components).

Best after-sale service:If it appear any quality complaints and disputes,we will establish of product information feedback system,establish service files,responsible for the quality of the accident identified and deal with our client .

FAQ

Q1:Can we have your sample?

A:Sure.Sample are available for each model.They can be ready in 7-15days upon receipt of payment.

Q2:Can you give us discount?

A:Discount is negotiable for large quantity.

Q3:Can you give warranty of your products?

A:Yes,we extend a 100% satisfaction guarantee on all items.We may give the warranty 5 years.

Q4:Are you manufacturer or trading company?

A:We are professional manufacturer for more than 10 years in furniture industry.

Q5:How about the payment terms?

A:We accept advance T/T(30% deposit before produce, 70% balance before delivery),

other requirement pls discuss with salesman.

CONTACT US



Manager : Rachel

Whatsapp/Wechat:

0086-13590681820



E-mail:

rachel@new-city.cn